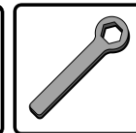
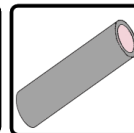




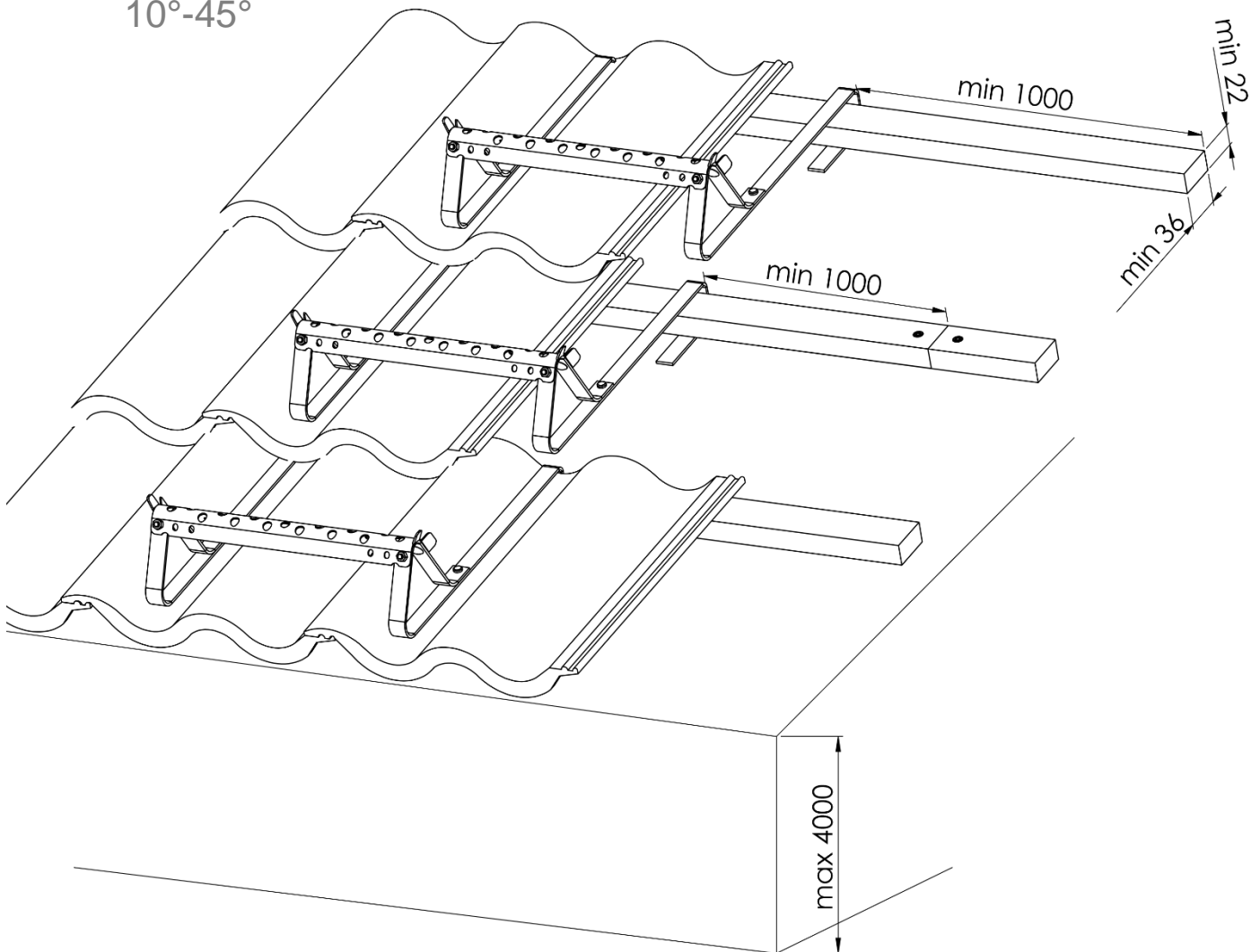
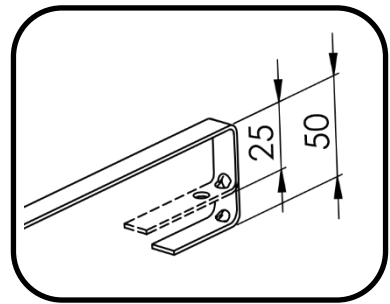
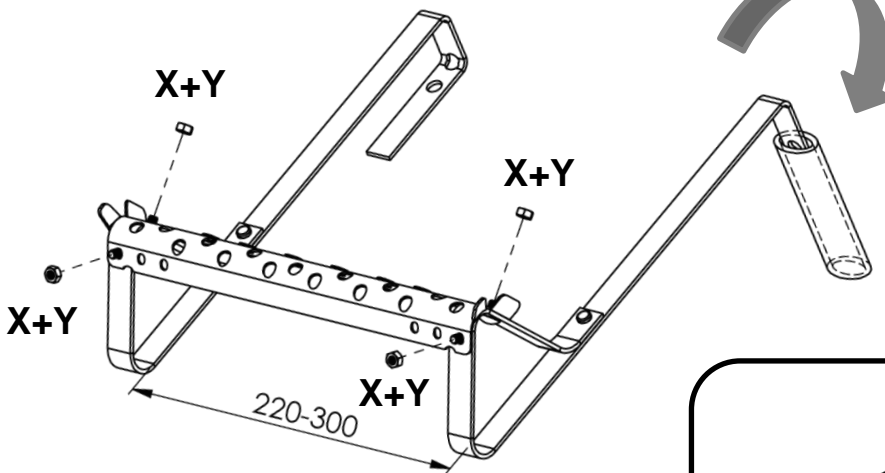
M-081 2309 SE

Patent Pending



[mm]

QR Code



cwlundberg.com

