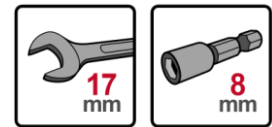




MOUNTINGS

M-202 1804 GB

ROOF LADDER ON SHEET METAL ROOF

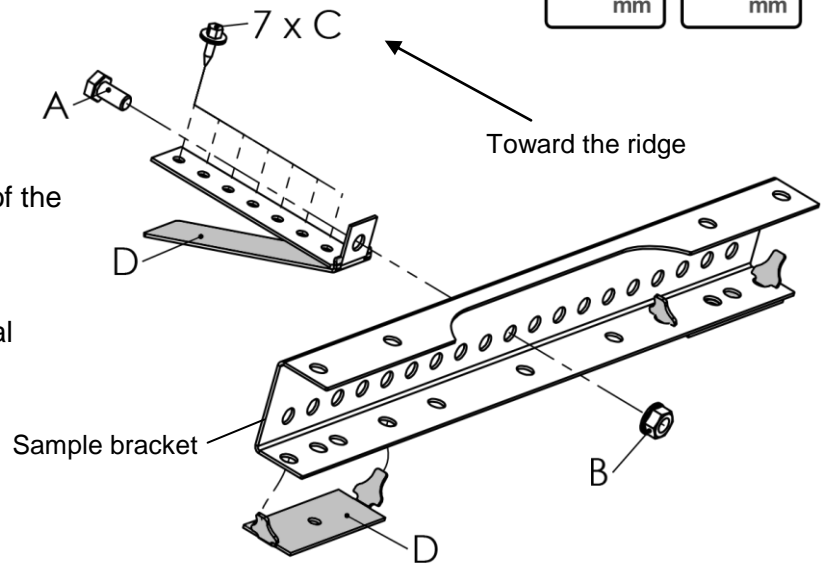


Mount for sheet metal roof

Steel sheet metal min 0.5 mm.
Aluminium sheet metal min 0.8 mm.

The mounting is installed on the top of the profile.
Use mounting kit, item 410130P.

Screw with a low torque for an optimal thread formation in the steel plate.



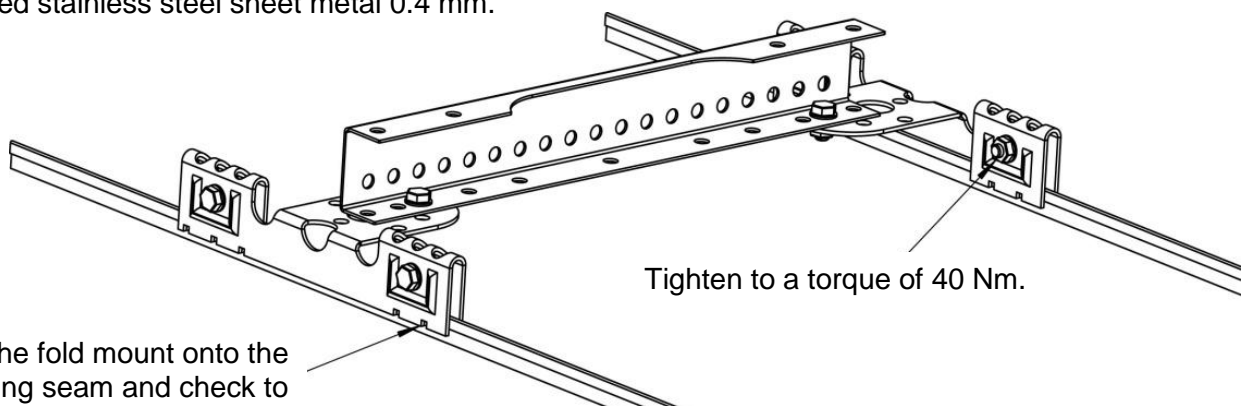
Sheet metal roof with C-distance profile tops 221 - 450 mm:
Install mounting on two profile tops per all-round bracket.

Sheet metal roof with C-distance profile tops 550 - 560 mm:
See installation instruction **M-131**.

For other qualities of sheet metal, refer to Installation Instruction **M-124**.

Fold mount for double and single-folded sheet metal roofs and pre-fabricated panel roofs

Steel sheet metal and copper sheet metal min 0.6 mm.
Zinc sheet metal min 0.7 mm
Aluminium sheet metal min 0.7 mm.
Welded stainless steel sheet metal 0.4 mm.



Install the fold mount onto the standing seam and check to see that the tabs pinches on under the edge of the seam.

A= Screw hot galv. M10 x 20, B= Flange nut hot galv. M10, C= Stainless steel building screws with washer 19 x 6.3 mm, D= EPDM seal