



SNOWSTOPPER, RAKE

FOR FOLDED SHEET METAL ROOFS AND PREFABRICATED PANEL ROOFS

M-228 1805 GB



Snowstopper rake for installation on folded sheet metal roofs and pre-fabricated panel roofs.

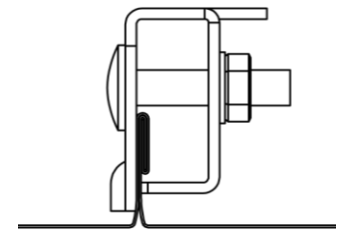
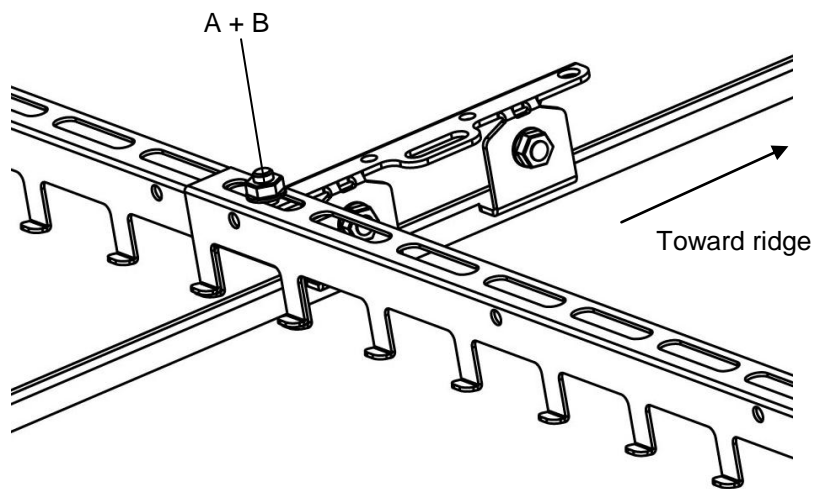
Maximum distance between fold mounts 600 mm.

Tighten to a torque of 25 Nm.

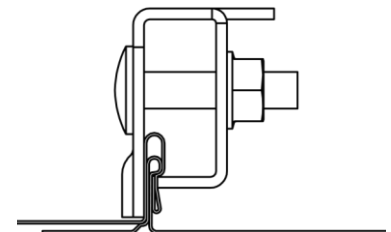
Snowstopper is extended by overlapping at least one assembly hole at the fold mount.

Bolted joints shall pass through both snowstoppers at overlaps.

Maximum protrusion from the outermost fold mount: 150 mm.



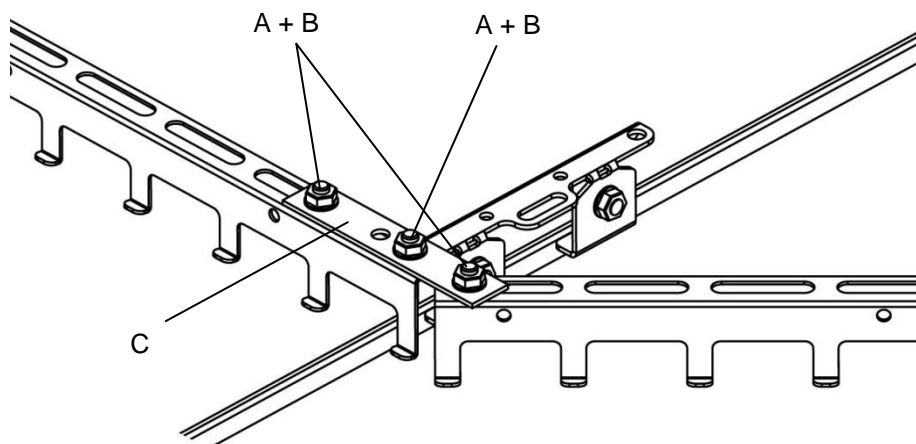
Folded sheet metal:
Make sure that the tabs on the fold mount clamp under the seam edge.



Prefabricated panel:
Make sure that the tabs on the fold mount clamp the seam so that the inner fold is clamped in place.

Extension of snowstopper rake at an angle

Use extension kit 470018P.



Please note that the snowstopper does not replace the snow fence at the roof foot.

A= Screw hot galv. M10 x 20, B= Flange nut, hot galv. M10, C= Extension kit

cwlundberg.com