



RAIL 0.5 M

M-251 1807 GB

AROUND ROOF HATCHES AND SKYLIGHTS



Rail

Screw the vertical tubes in placed against the brackets using an M10x40 screw and flanged nut.

Measure the C-C distance between the brackets and cut the upper rail tubes according to measure minus 30 mm. Use bolt kit 420016P.

For rail lengths greater than 1800 mm, install an extra stanchion. The spacing between them is max 1200 mm. Use bolt kit 440075P.

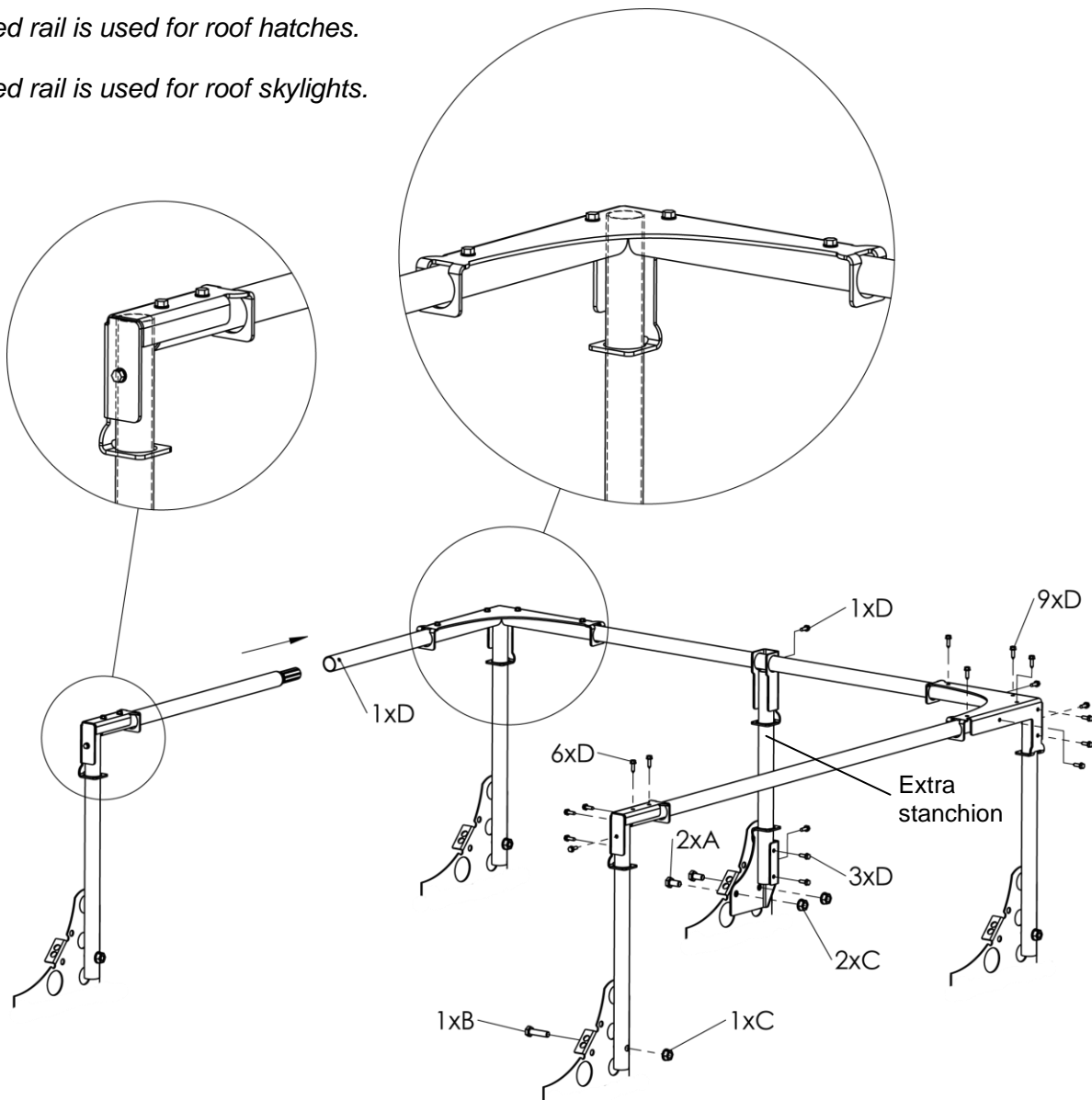
Extension of the rail tube is done with inserts and self-tapping screws. (D) Use bolt kit 420012P.

Roof attachment

Bitumen membrane and flat surfaces	M-085
Slate plate	M-133
Sheet metal roof	M-222
Tiled roof	M-223
Sedum roof with risers	M-229

3-sided rail is used for roof hatches.

4-sided rail is used for roof skylights.



A= Screw, hot galv. M10 x 20, **B=** Screw, hot galv. M10 x 40, **C=** Flanged nut, hot galv. M10, **D=** Self-tapping stainless steel screw 20 x 5.5 mm