



ROOF LADDER AND WALKWAY ON PITCHED ROOFS

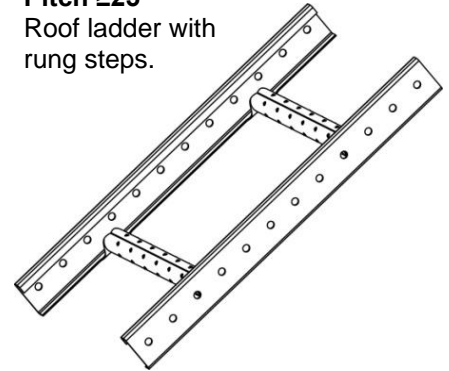
M-303 1903 GB



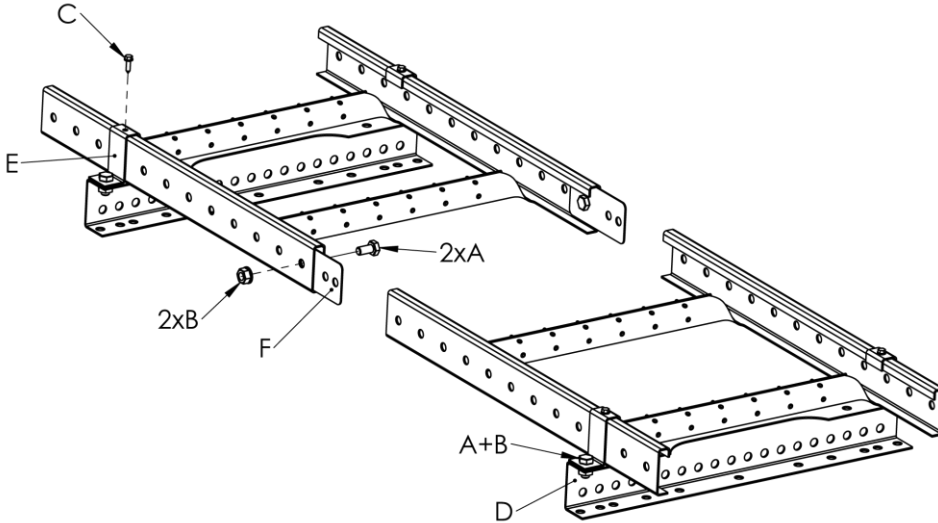
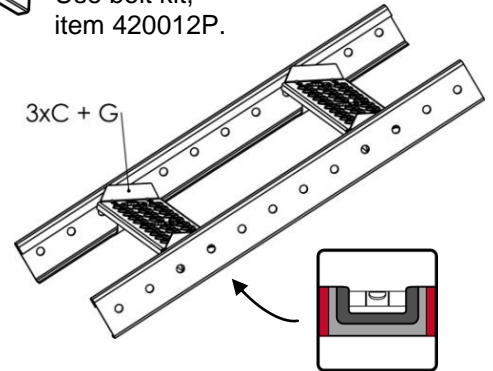
Roof ladder, approved from 10° pitch

C-C distance for brackets is a max of 1700 mm.
The ladders protrusion from brackets is a max of 200 mm.
Use screw kit, item no. 470260P and extension kit item hot galv. 470285P

Pitch $\geq 25^\circ$
Roof ladder with rung steps.



Pitch 10-45°
Roof ladder with steps.
The tread must not deviate more than 3° from horizontal.
Use bolt kit, item 420012P.



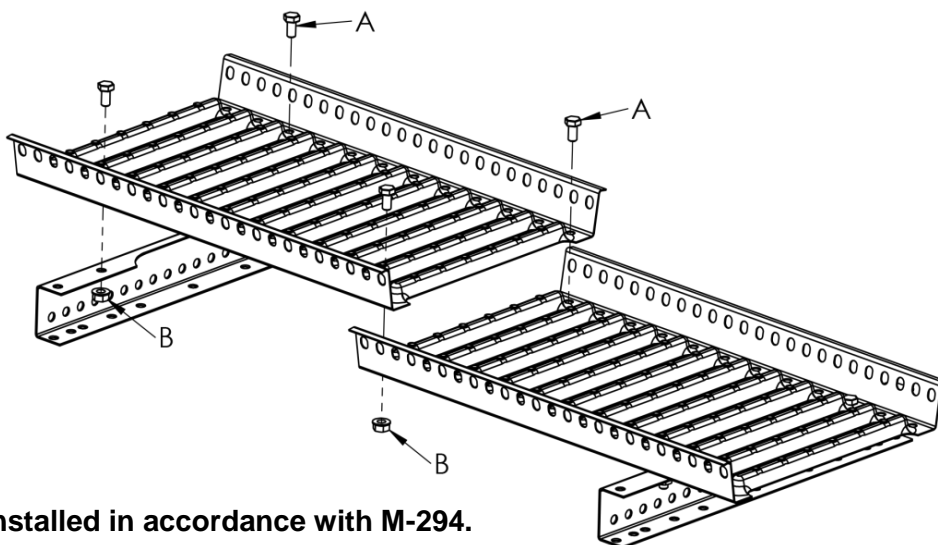
Roof attachment

Bitumen membrane and flat surfaces
Tiled roof
Sheet metal roof

M-085
M-201
M-202

Walkway on a pitch, approved for up to 15° pitch.

C-C distance for brackets is a max of 1200 mm. The walkways protrusion from brackets is a max of 200 mm.
Use screw kit, item no. 420009P upon installation and extension.
At least 2 brackets are installed on each side of the extension.



Guard rail installed in accordance with M-294.

A= Screw hot galv. M10 x 20, **B=** Flange nut M10 hot galv, **C=** Self-tapping stainless screw 20 x 5.5 mm, **D=** Bracket, **E=** Mounting plate, **F=** Extension, **G=** Step